



TECHNICAL DATASHEET

TOPLA ENERGY E100V

ORDER INFORMATION

TAB ID
108000

Short Code
E100V

DIN Marking
59249 SMF

EAN Code
3838807027497

Quantity per EU/CNT pallet
42/60 pcs

TECHNOLOGY

Primary Function
Engine Start

Battery Technology
Flooded

Grid Type (pos/neg)
Expanded/Concasted

Grid Alloy (pos/neg)
Ca/Ca

Separator
PE

Electrolyte (g/cm³)
1,28

TECHNICAL INFORMATION

Voltage (V)
12

Capacity C20 (Ah)
100

CCA -18°C EN (A)
800

RC (min)
182

LxWxH (mm)
315x175x190

Total Weight (kg)
20.0

BOX DESIGN

Box Type
L4

Cover Type
SMF

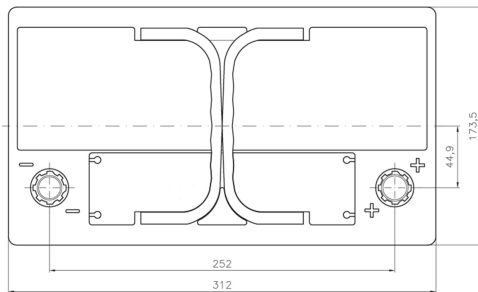
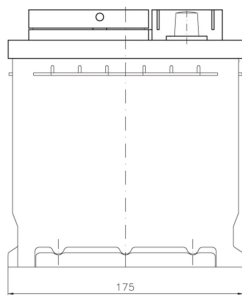
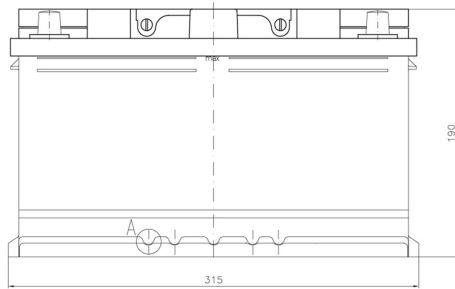
Colour
Black

Layout
0

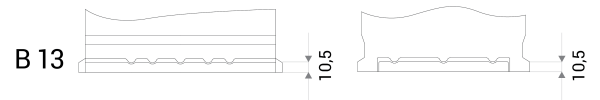
BHD
B13

Terminal
1

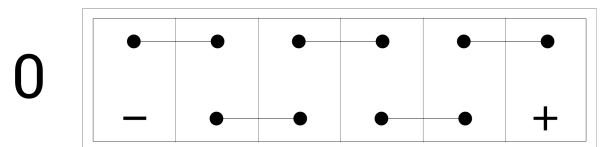
DRAWING



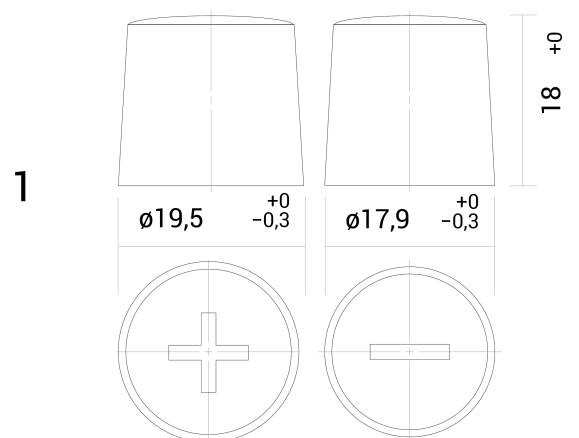
BHD



LAYOUT



TERMINAL



TECHNICAL DATASHEET

TOPLA ENERGY E100V