



TECHNICAL DATASHEET

TOPLA EFB STOP&GO TRUCK TSG24

ORDER INFORMATION

TAB ID
454612

Short Code
TSG24

DIN Marking
74027 EFB

EAN Code
3838807042766

Quantity per EU/CNT pallet
18/24 pcs

TECHNOLOGY

Primary Function
Engine Start

Battery Technology
EFB - Enhanced Flooded Battery

Grid Type (pos/neg)
Casted/Concasted

Grid Alloy (pos/neg)
Ca/Ca

Separator
PE

Electrolyte (g/cm³)
1,28

TECHNICAL INFORMATION

Voltage (V)
12

Capacity C20 (Ah)
240

CCA -18°C EN (A)
1250

RC (min)
506

LxWxH (mm)
517x275x214/241

Total Weight (kg)
58.6

BOX DESIGN

Box Type
C

Cover Type
SMF

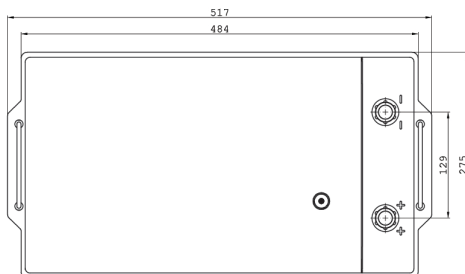
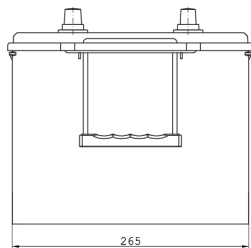
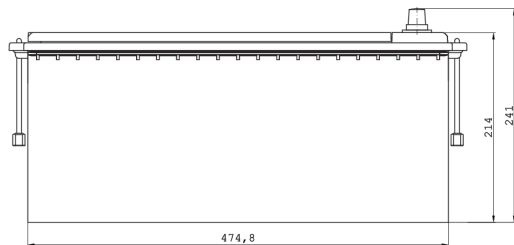
Colour
Black

Layout
3

BHD
B0

Terminal
1

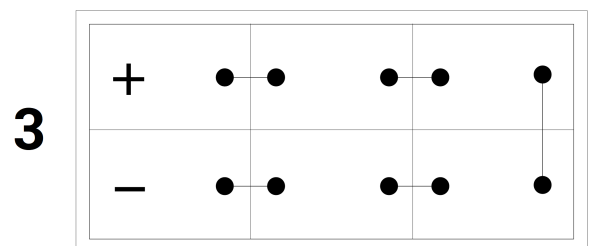
DRAWING



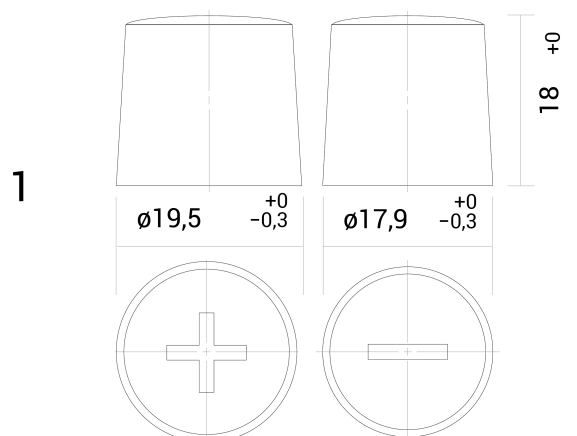
BHD



LAYOUT



TERMINAL



TECHNICAL DATASHEET

TOPLA EFB STOP&GO TRUCK TSG24

TAB d.d, Polena 6, SI-2392 Mežica, Slovenia, www.tab.si