



TECHNICAL DATASHEET

TOPLA TOP TRUCK TT22

ORDER INFORMATION

TAB ID
125612

Short Code
TT22

DIN Marking
72527 SMF

EAN Code
3838807026575

Quantity per EU/CNT pallet
18/24 pcs

TECHNOLOGY

Primary Function
Engine Start

Battery Technology
Flooded

Grid Type (pos/neg)
Casted/Concasted

Grid Alloy (pos/neg)
Ca/Ca

Separator
PE

Electrolyte (g/cm³)
1,28

TECHNICAL INFORMATION

Voltage (V)
12

Capacity C20 (Ah)
225

CCA -18°C EN (A)
1300

RC (min)
469

LxWxH (mm)
513x275x220/247

Total Weight (kg)
56.1

BOX DESIGN

Box Type
C

Cover Type
SMF

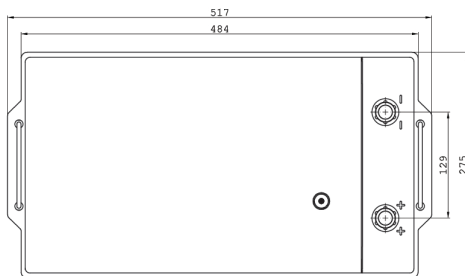
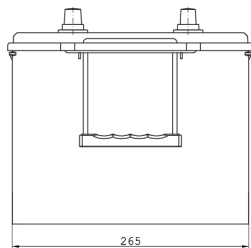
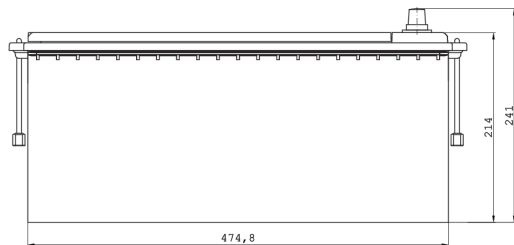
Colour
Black

Layout
3

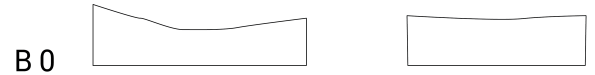
BHD
B0

Terminal
1

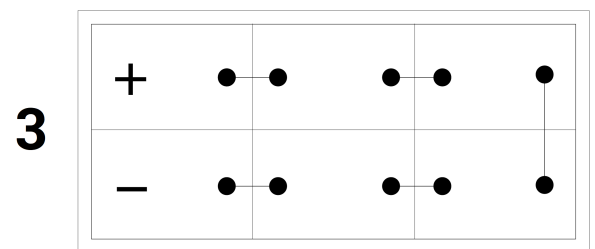
DRAWING



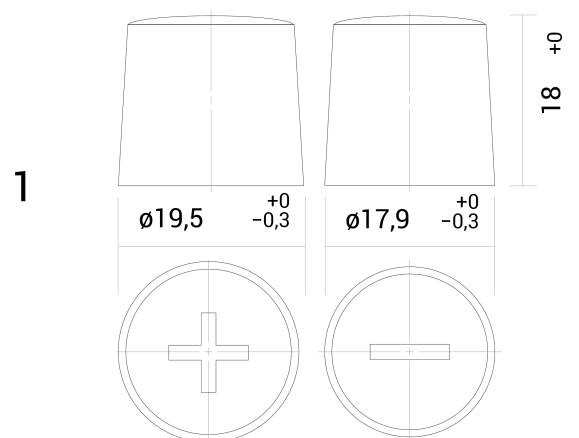
BHD



LAYOUT



TERMINAL



TECHNICAL DATASHEET

TOPLA TOP TRUCK TT22