

TECHNICAL DATASHEET

TOPLA TOP JIS TT55J

ORDER INFORMATION

TAB ID
118255

Short Code
TT55J

DIN Marking
55523/84 SMF

EAN Code
3838807030633

Quantity per EU/CNT pallet
72/96 pcs

TECHNOLOGY

Primary Function
Engine Start

Battery Technology
Flooded

Grid Type (pos/neg)
Expanded/Concasted

Grid Alloy (pos/neg)
Ca/Ca

Separator
PE

Electrolyte (g/cm³)
1,28

TECHNICAL INFORMATION

Voltage (V)
12

Capacity C20 (Ah)
55

CCA -18°C EN (A)
490

RC (min)
100

LxWxH (mm)
236x128x202/223

Total Weight (kg)
13.5

BOX DESIGN

Box Type
B24

Cover Type
SMF

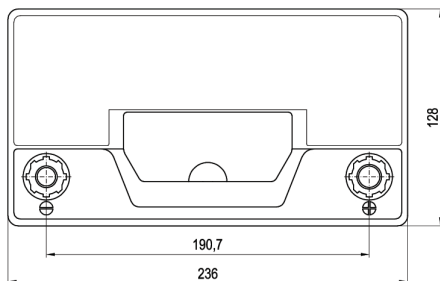
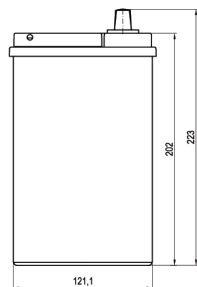
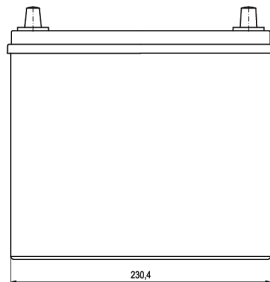
Colour
Black

Layout
0

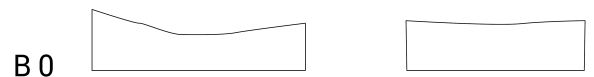
BHD
B0

Terminal
1

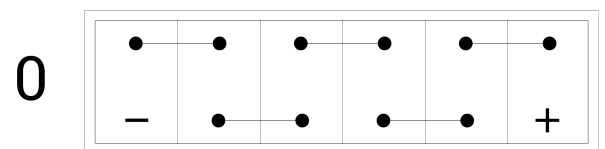
DRAWING



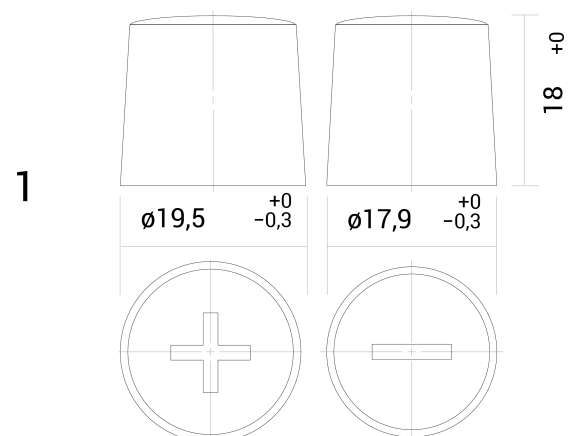
BHD



LAYOUT



TERMINAL



TECHNICAL DATASHEET

TOPLA TOP JIS TT55J